

GEOMETRIC METRIC

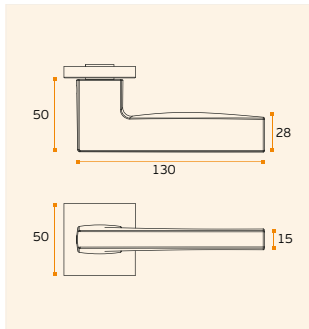
**PUXADORES E ACESSÓRIOS /
LEVER HANDLES AND ACCESSORIES /
MANILLAS Y ACCESORIOS.**



IN.00.107.QC08M METRIC

**Puxador / Lever handle / Manilla
QC08M (Roseta standard / Standard rose)
Design: Miguel Vasconcelos**

- .TB
- .TG
- .TCO
- .TCH



MATERIAL: EN 1.4301 / AISI 304
ACABAMENTO / FINISH / ACABADO:
STANDARD: SATINADO / SATIN / SATIN
OPTIONAL: PVD TITANIUM COATED
.TB / .TG / .TCO / .TCH

SEMI SOLID

EN1906 **3 7 - 0 0 3 0 B**



IN.00.107.QC08M.TB
Titanium black



IN.00.107.QC08M.TG
Titanium gold



IN.00.107.QC08M.TCO
Titanium copper



IN.00.107.QC08M.TCH
Titanium chocolate

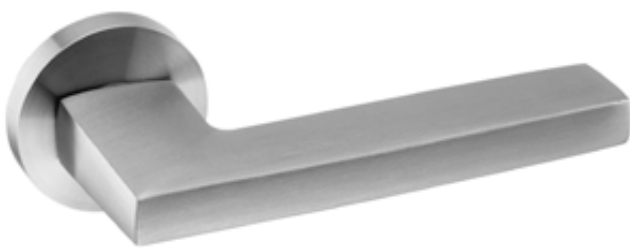
.P
Mirror
finish

.TB
PVD
Titanium
black

.TG
PVD
Titanium
gold

.TCO
PVD
Titanium
copper

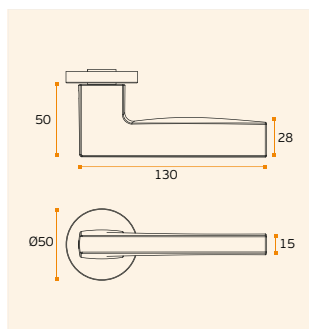
.TCH
PVD
Titanium
chocolate



IN.00.107.RC08M METRIC

**Puxador / Lever handle / Manilla
RC08M (Roseta standard / Standard rose)
Design: Miguel Vasconcelos**

- .TB
- .TG
- .TCO
- .TCH



MATERIAL: EN 1.4301 / AISI 304
ACABAMENTO / FINISH / ACABADO:
STANDARD: SATINADO / SATIN / SATIN
OPTIONAL: PVD TITANIUM COATED
.TB / .TG / .TCO / .TCH

SEMI SOLID

EN1906 **3 7 - 0 0 3 0 B**



IN.00.107.RC08M.TB
Titanium black



IN.00.107.RC08M.TG
Titanium gold



IN.00.107.RC08M.TCO
Titanium copper



IN.00.107.RC08M.TCH
Titanium chocolate

Pag.064

Pag.290

Pag.200

Pag.226

Pag.236