

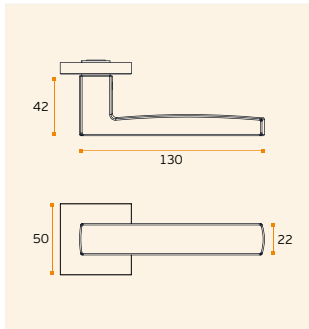
GEOMETRIC

**PUXADORES E ACESSÓRIOS /
LEVER HANDLES AND ACCESSORIES /
MANILLAS Y ACCESORIOS.**



IN.00.108.QC08M FUSION
Puxador / Lever handle / Manilla
QC08M (Roseta standard / Standard rose)

- .TB
- .TG
- .TCO
- .TCH



MATERIAL: EN 1.4301 / AISI 304
ACABAMENTO / FINISH / ACABADO:
STANDARD: SATINADO / SATIN / SATIN
OPTIONAL: PVD TITANIUM COATED
.TB / .TG / .TCO / .TCH

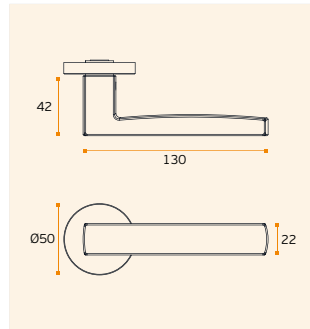
SOLID ■

EN1906 3 7 - 0 0 3 0 B



IN.00.108.RC08M FUSION
Puxador / Lever handle / Manilla
RC08M (Roseta standard / Standard rose)

- .TB
- .TG
- .TCO
- .TCH



MATERIAL: EN 1.4301 / AISI 304
ACABAMENTO / FINISH / ACABADO:
STANDARD: SATINADO / SATIN / SATIN
OPTIONAL: PVD TITANIUM COATED
.TB / .TG / .TCO / .TCH

SOLID ■

EN1906 3 7 - 0 0 3 0 B

.P
Mirror
finish

.TB
PVD
Titanium
black

.TG
PVD
Titanium
gold

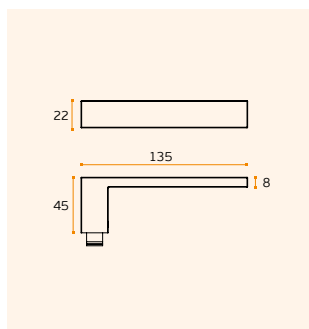
.TCO
PVD
Titanium
copper

.TCH
PVD
Titanium
chocolate



IN.00.122 NEXT
Puxador / Lever handle / Manilla
QC08M (Roseta standard / Standard rose)

- .TB
- .TG
- .TCO
- .TCH



MATERIAL: EN 1.4301 / AISI 304
ACABAMENTO / FINISH / ACABADO:
STANDARD: SATINADO / SATIN / SATIN
OPTIONAL: PVD TITANIUM COATED
.TB / .TG / .TCO / .TCH

TUBULAR □

EN1906 3 7 - 0 0 3 0 B



IN.00.122.TB
Titanium black



IN.00.122.TG
Titanium gold



IN.00.122.TCO
Titanium copper



IN.00.122.TCH
Titanium chocolate

Key icon
Pag.064

Key icon
Pag.290

Key icon
Pag.200

Key icon
Pag.226

Key icon
Pag.236