

.P
Mirror
finish

.TB
PVD
Titanium
black

.TG
PVD
Titanium
gold

.TCO
PVD
Titanium
copper

.TCH
PVD
Titanium
chocolate

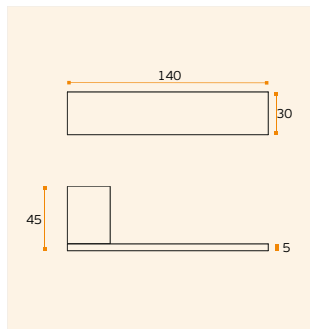

Without
spring

ONLY
LOCKS
GRADE
3



IN.00.142 SQUARE

Puxador / Lever handle / Manilla
QC08M (Roseta standard / Standard rose)



MATERIAL: EN 1.4301 / AISI 304

ACABAMENTO / FINISH / ACABADO:
STANDARD: SATINADO + POLIDO /
SATIN + POLISHED / SATIN + PULIDO

OPTIONAL: PVD TITANIUM COATED

.TB / .TG / .TCO / .TCH

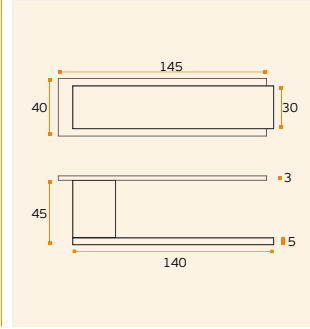
SOLID ■

EN1906 27-00308



IN.00.152 SQUARE

Puxador com placa /
Lever handle with plate / Manilla con placa



MATERIAL: EN 1.4301 / AISI 304

ACABAMENTO / FINISH / ACABADO:
STANDARD: SATINADO + POLIDO /
SATIN + POLISHED / SATIN + PULIDO

OPTIONAL: PVD TITANIUM COATED

.TB / .TG / .TCO / .TCH

SOLID ■

EN1906 26-0030U

ONLY
LOCKS
GRADE
3




Pag.064


Pag.290


Pag.200

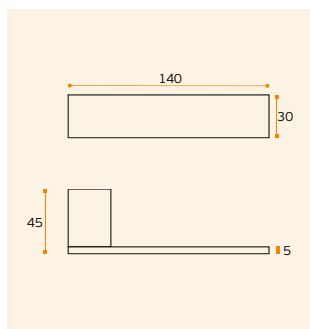

Pag.226


Pag.236



IN.00.153 SQUARE

Puxador / Lever handle / Manilla
QC08M (Roseta standard / Standard rose)



MATERIAL: EN 1.4301 / AISI 304

ACABAMENTO / FINISH / ACABADO:
STANDARD: SATINADO / SATIN / SATIN

OPTIONAL: PVD TITANIUM COATED

.TB / .TG / .TCO / .TCH

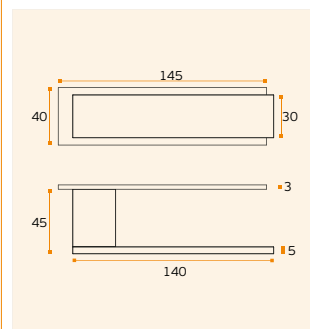
SOLID ■

EN1906 27-00308



IN.00.154 SQUARE

Puxador com placa /
Lever handle with plate / Manilla con placa



MATERIAL: EN 1.4301 / AISI 304

ACABAMENTO / FINISH / ACABADO:
STANDARD: SATINADO / SATIN / SATIN

OPTIONAL: PVD TITANIUM COATED

.TB / .TG / .TCO / .TCH

SOLID ■

EN1906 26-0030U

ONLY
LOCKS
GRADE
3

