

.P  
Mirror  
finish

.TB  
PVD  
Titanium  
black

.TG  
PVD  
Titanium  
gold

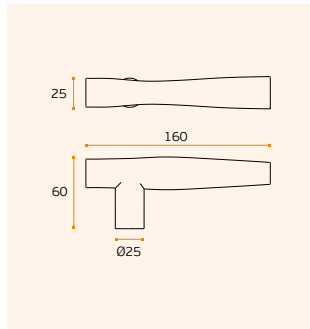
.TCO  
PVD  
Titanium  
copper

.TCH  
PVD  
Titanium  
chocolate



**IN.00.229 PICASSO**

**Puxador / Lever handle / Manilla.**  
**RC08M (Roseta standard / Standard rose)**  
**Design: Miguel Vasconcelos**



**MATERIAL:** EN 1.4301 / AISI 304  
**ACABAMENTO / FINISH / ACABADO:**  
**STANDARD:** SATINADO / SATIN / SATIN  
**OPTIONAL:** PVD TITANIUM COATED  
**.TB / .TG / .TCO / .TCH**

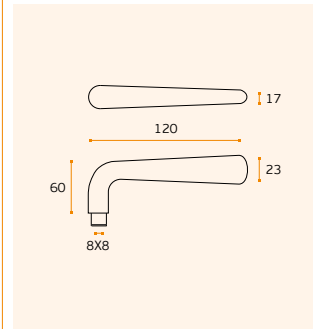
TUBULAR

EN1906 2 7 - 0 0 3 0 B



**IN.00.120 ELLE**

**Puxador / Lever handle / Manilla.**  
**RC08M - R07N (Roseta standard / Standard rose)**  
**Design: Miguel Vasconcelos**



**MATERIAL:** EN 1.4301 / AISI 304  
**ACABAMENTO / FINISH / ACABADO:**  
**STANDARD:** SATINADO / SATIN / SATIN  
**OPTIONAL:** PVD TITANIUM COATED  
**.TB / .TG / .TCO / .TCH**

TUBULAR

EN1906 3 7 - 0 0 3 0 B

Pag.064

Pag.290

Pag.200

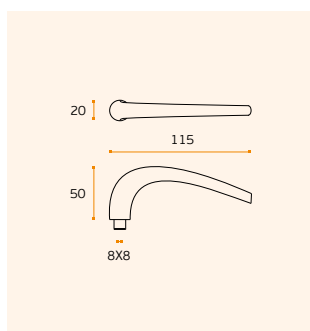
Pag.226

Pag.236



**IN.00.022 NORD**

**Puxador / Lever handle / Manilla.**  
**RC08M (Roseta standard / Standard rose)**



**MATERIAL:** EN 1.4301 / AISI 304  
**ACABAMENTO / FINISH / ACABADO:**  
**STANDARD:** SATINADO / SATIN / SATIN  
**OPTIONAL:** PVD TITANIUM COATED  
**.TB / .TG / .TCO / .TCH**

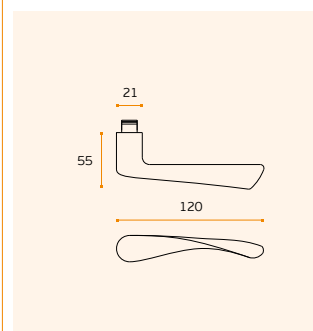
SOLID

EN1906 3 7 - 0 0 3 0 B



**IN.00.023 ESTORIL**

**Puxador / Lever handle / Manilla.**  
**RC08M (Roseta standard / Standard rose)**



**MATERIAL:** EN 1.4301 / AISI 304  
**ACABAMENTO / FINISH / ACABADO:**  
**STANDARD:** SATINADO / SATIN / SATIN  
**OPTIONAL:** PVD TITANIUM COATED  
**.TB / .TG / .TCO / .TCH**

SOLID

EN1906 3 7 - 0 0 3 0 B