

.P
Mirror
finish

.TB
PVD
Titanium
black

.TG
PVD
Titanium
gold

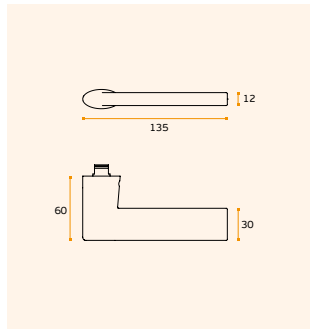
.TCO
PVD
Titanium
copper

.TCH
PVD
Titanium
chocolate



IN.00.240 DYNAMIC

Puxador / Lever handle / Manilla.
RB08M (Roseta standard / Standard rose)
Design: Christian Magalhães



MATERIAL: EN 1.4301 / AISI 304

ACABAMENTO / FINISH / ACABADO:
STANDARD: SATINADO / SATIN / SATIN

OPTIONAL: PVD TITANIUM COATED

.TB / .TG / .TCO / .TCH

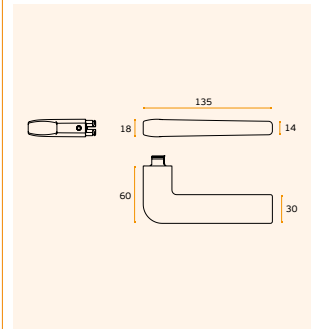
TUBULAR

EN1906 3 7 - 0 0 3 0 A



IN.00.241 GOLF

Puxador / Lever handle / Manilla.
RC08M (Roseta standard / Standard rose)
Design: Christian Magalhães



MATERIAL: EN 1.4301 / AISI 304

ACABAMENTO / FINISH / ACABADO:
STANDARD: SATINADO / SATIN / SATIN

OPTIONAL: PVD TITANIUM COATED

.TB / .TG / .TCO / .TCH

TUBULAR

EN1906 3 7 - 0 0 3 0 B

Pag.064

Pag.290

Pag.200

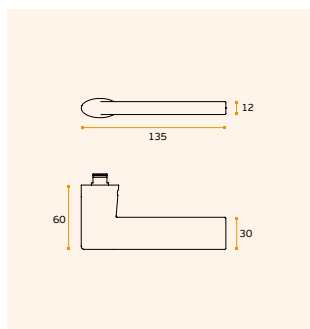
Pag.226

Pag.236



IN.00.240.P DYNAMIC

Puxador / Lever handle / Manilla.
RB08MP (Roseta standard / Standard rose)
Design: Christian Magalhães



MATERIAL: EN 1.4301 / AISI 304

ACABAMENTO / FINISH / ACABADO:
STANDARD: POLIDO / POLISHED /
PULIDO

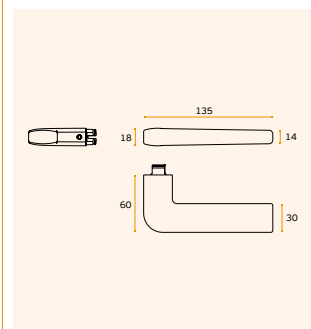
TUBULAR

EN1906 3 7 - 0 0 3 0 A



IN.00.241.P GOLF

Puxador / Lever handle / Manilla.
RC08M (Roseta standard / Standard rose)
Design: Christian Magalhães



MATERIAL: EN 1.4301 / AISI 304

ACABAMENTO / FINISH / ACABADO:
STANDARD: POLIDO / POLISHED /
PULIDO

TUBULAR

EN1906 3 7 - 0 0 3 0 B